

Sedona Platter Pattern Drawing



WARDELLPRODUCTS Inc
Books, eBooks, Molds & Accessories for the Art Glass Community

Full-size Pattern for the Sedona Platter

This Sedona Platter design has 1 full-size pattern drawing as shown below. You will need to print 4 pages then assemble them as described.

Print Using a Standard Desktop Printer

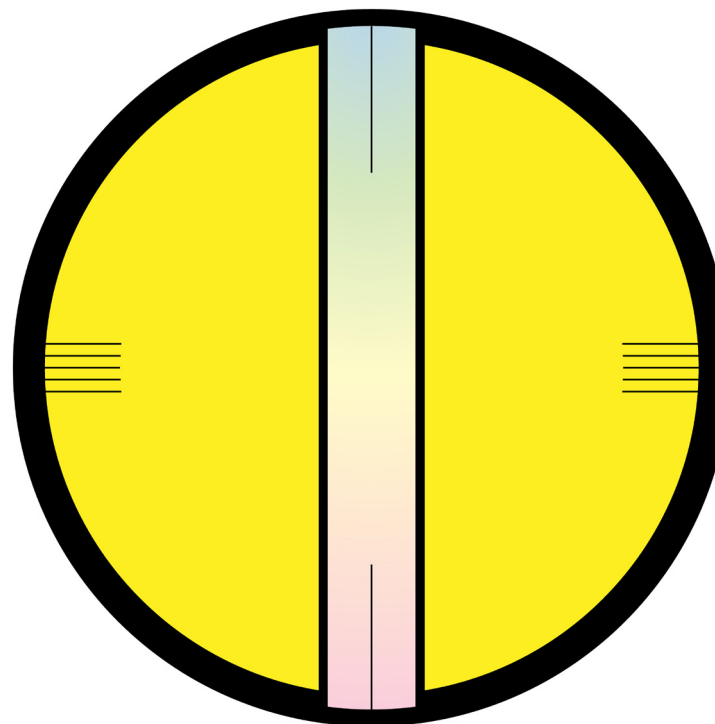
Since most people do not have a printer capable of printing a 14" (35.5 cm) square page, the pattern in this eProject has been split into four sections. Simply print all 4 pattern pages on standard 8 1/2" x 11" paper (or A4 paper 21 x 29.7 cm) then trim and tape these 4 sections together to create the full-size pattern sheet.

ProTip: Be Sure You're Printing at 100% Full-Size

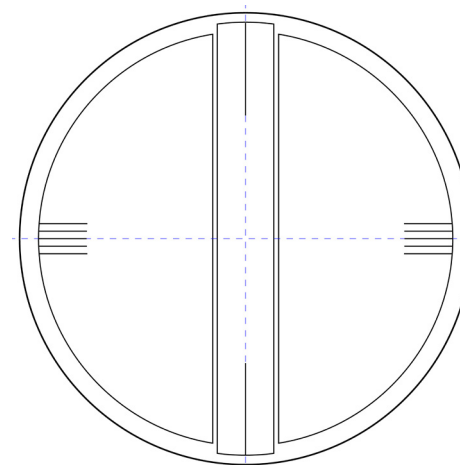
This PDF file will print on standard letter sized paper on any desktop printer (ink jet or laser) that is connected to your computer. However it is very important that these pattern pages are printed at full-size (not reduced to fit). That may seem obvious but the problem is Acrobat Reader (the software on your computer that opens a PDF file) is automatically set (default) to "Fit to Printable Area" and that setting will reduce the size of your patterns. It's very easy to fix this problem. When you ask the computer to print, a dialog box opens where you choose the printer, the page range, the number of copies, and the Page Scaling – be sure this option is set to "None" or "Actual Size" - the pages will now print at full-size. Unfortunately the PDF Reader software may revert back to "Fit to Printable Area" and that means each time you want to print out full-size patterns you must remember to reset the Page Scaling to "None".

Assemble the Full Sized Pattern

Print all 4 pattern pages 22 to 25 on your desktop printer using standard letter-sized paper at 100% (be sure to read the ProTip above), then trim each pattern by following the blue dash lines. You will be trimming away some of the pattern lines but don't worry, those areas will be added back in when you attach the other sections. Trim all 4 sections then match these trimmed sections together at the blue dash lines and attach them using clear craft tape to create the complete full-size pattern.



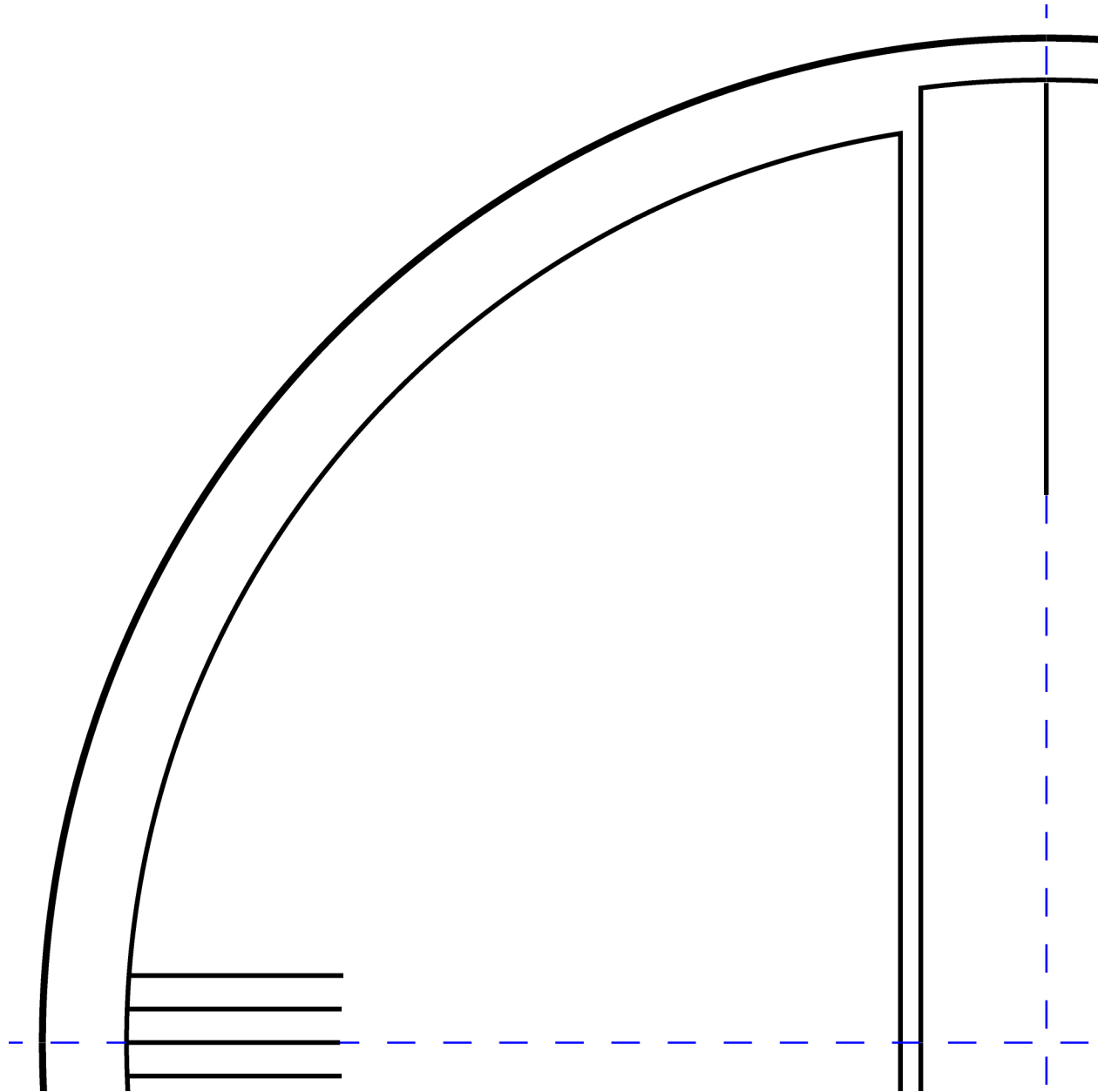
Sedona Platter Design in Color



12" Sedona Platter Pattern Drawing

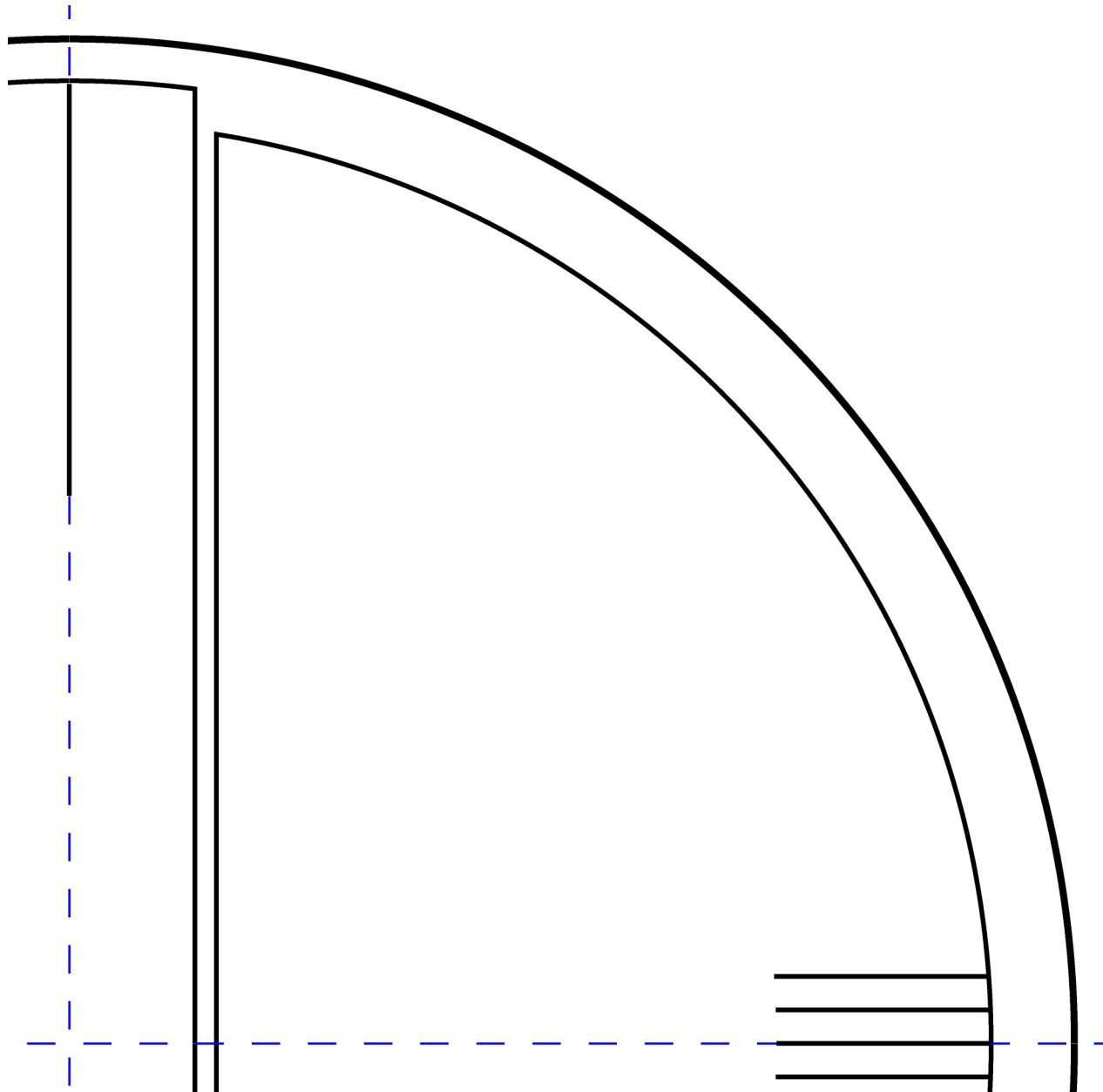
This is the Top Left section of the full-size Disk Base Pattern

This pattern should be exactly 12" diameter when all four section have been assembled - Be sure to check this dimension before cutting your glass.



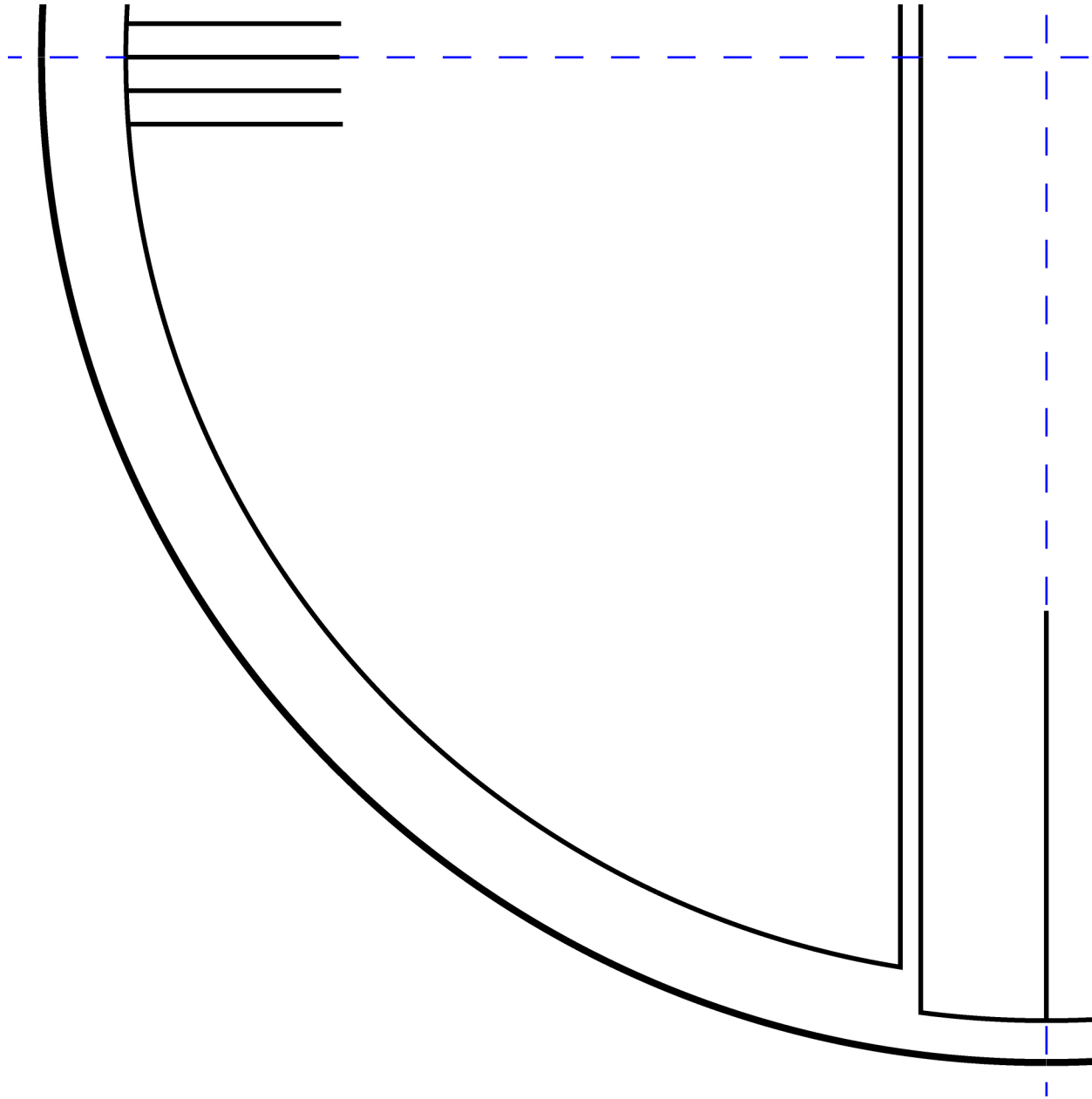
This is the Top Right section of the full-size Disk Base Pattern

This pattern should be exactly 12" diameter when all four section have been assembled - Be sure to check this dimension before cutting your glass.



This is the Lower Left section of the full-size Disk Base Pattern

This pattern should be exactly 12" diameter when all four section have been assembled - Be sure to check this dimension before cutting your glass.



This is the Lower Right section of the full-size Disk Base Pattern

This pattern should be exactly 12" diameter when all four section have been assembled - Be sure to check this dimension before cutting your glass.

